



Microwave Filter Company

MF Series Discrete Element, Miniature Band Reject Filters

Microwave Filter Company's MF series of Band Reject filters offer superior performance in a small package for a wide range of applications.

FEATURES:

- Available frequency range: 10 MHz to 100 MHz
- Miniature package
- 3-6 section designs are standard
- Call the factory for custom designs



SPECIFICATIONS

Model No.	Center Freq. (MHz)	3 dB BW (percent of Fc)	Typical Notch Attenuation (db)	VSWR typical	Average Power (Watts, nominal)	Impedance (ohms)	No. of Sections
MF10	10-100	5-20	50	1.5:1	1	50 *	3-6

*75 Ω is available

MODEL DESIGNATION

Code	Description
1	Number of Sections
2	Model Number
3	Center Frequency of Notch (MHz)
4	3dB Relative Bandwidth (MHz)
5	Connector Code (Input/Output)
6	Mechanical Outline (Style)

CONNECTOR CODE CHART

Connector Style	Connector Code	Style
"N" Female	NF	1
"N" Male	NM	1
BNC Female	BF	1
BNC Male	BM	1
TNC Female	TF	1
TNC Male	TM	1
SMA Female	SF	1,2
SMA Male	SM	1,2
PC Pins	PN	1,2
Special	XX	1,2

SAMPLE

4	MF10-	50/	5-	SF/SF-	1
1	2	3	4	5	6

6743 KINNE STREET

E. SYRACUSE, NY 13057

800-448-1666 • 315-438-4700

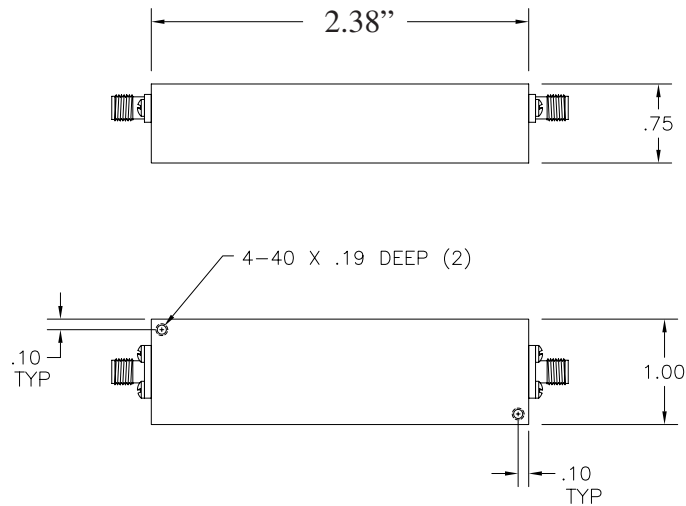
E-Mail: mfcsales@microwavefilter.com

Web: www.microwavefilter.com

MF Series

Discrete Element, Miniature Band Reject Filters

STYLE 1 CONNECTORS



STYLE 1 PINS

