

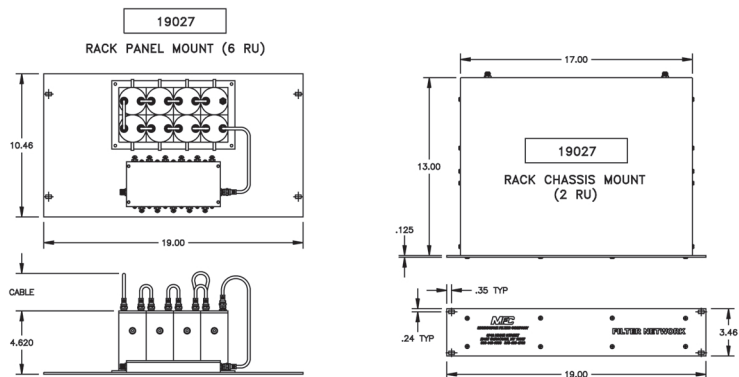
CATV Highpass Filters for DOCSIS 3.1 Testing

Model 19027 Highpass Filter

These highpass filters are used for CATV equipment proofing/testing as it relates to DOCSIS 3.1.

Specifications:

Passband	1020 - 1218 MHz
Passband Insertion Loss	3 dB Max
Passband VSWR	1.5:1 Typ
Rejection	80 dB Typ from DC - 900 MHz
	50 dB Min from 900 - 1002 MHz
Impedance	75 ohms
Connectors	F-female
Size	19" Rack Panel Mounted for Indoor Use



Model 19189 Highpass Filter

Specifications:

Passband	552 - 1002 MHz
Passband Insertion Loss	2 dB Max
Passband VSWR	1.5:1 Typ
Rejection	20 dB Typ from (40 - 544) MHz
	10 dB Min @ 546 MHz
Impedance	75 ohms
Connectors	F-female
Size	19" Rack Panel Mounted for Indoor Use

