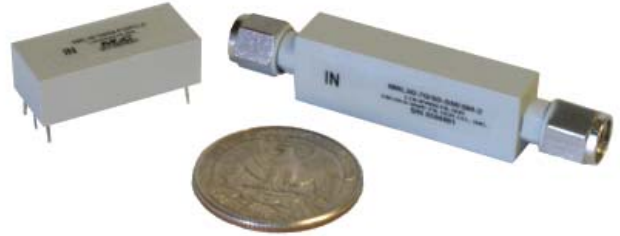


ML Series

Discrete Element, Miniature Lowpass Filters

Microwave Filter Company's ML series of Lowpass filters offer superior performance in a small package for a wide range of applications.



FEATURES:

- Available frequency range: 0.2 MHz to 1000 MHz
- Miniature package
- 3-9 section designs are standard
- Call the factory for custom designs

SPECIFICATIONS

Model No.	Frequency (MHz)	VSWR typical	Average Power (Watts, nominal)	Impedance (ohms)	No. of Sections
ML10	0.2-10	1.5:1	15	50 *	3-9
ML20	10-200	1.5:1	15	50 *	3-9
ML30	150-1000	1.5:1	10	50 *	3-9

*75 Ω is available

MODEL DESIGNATION

Code	Description
1	Number of Sections
2	Model Number
3	Start of Stopband Frequency (MHz)
4	3dB Cut -off Frequency (MHz)
5	Connector Code (Input/Output)
6	Mechanical Outline (Style)

SAMPLE

8	ML20-	70/	50-	PN/PN-	1
1	2	3	4	5	6

CONNECTOR CODE CHART

Connector Style	Connector Code	Style
"N" Female	NF	1
"N" Male	NM	1
BNC Female	BF	1
BNC Male	BM	1
TNC Female	TF	1
TNC Male	TM	1
SMA Female	SF	1,2
SMA Male	SM	1,2
PC Pins	PN	1,2
Special	XX	1,2

*Note: For illustration purposes only. Consult factory for specific information.

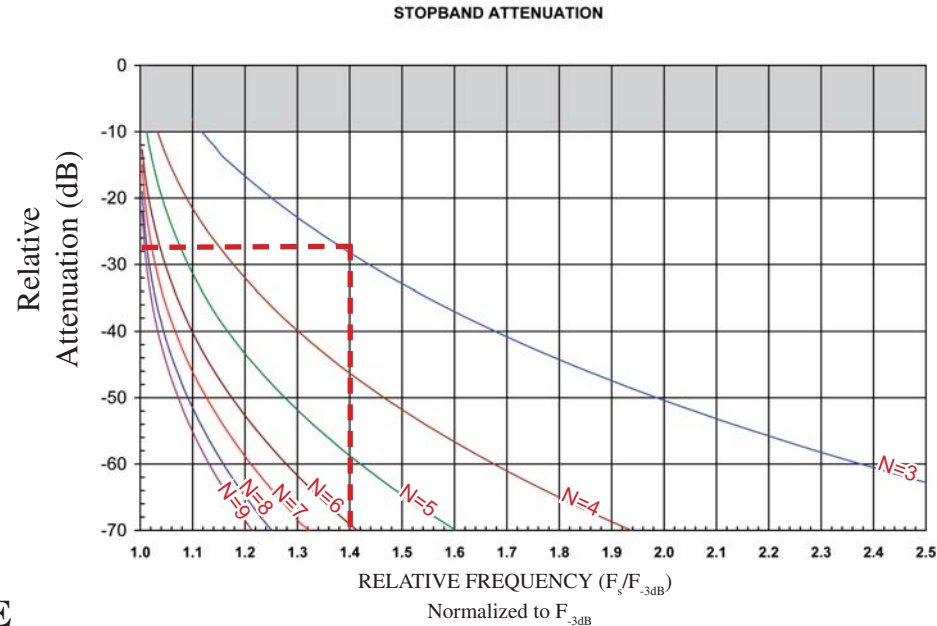
6743 KINNE STREET
E. SYRACUSE, NY 13057
800-448-1666 • 315-438-4700
E-Mail: mfcsales@microwavefilter.com
Web: www.microwavefilter.com

ML Series

Discrete Element, Miniature Lowpass Filters

Selectivity- The stopband performance of a filter determines the number of sections required. Use the following graph.

The graph provides the lowpass filter stopband attenuation as a function of the number of filter sections and the stopband frequency F_s normalized to the 3dB cutoff frequency $F_{-3\text{dB}}$



EXAMPLE

Determine the number of sections required to achieve an attenuation of 30 dB at 140 MHz (F_s) with a 3 dB cutoff frequency ($F_{-3\text{dB}}$) of 100 MHz

- 3dB Cutoff Frequency, $F_{-3\text{dB}} = 100$ MHz
- Stopband rejection frequency $F_s = 140$ MHz
- Attenuation value of stopband= 30dB

Step 1. Normalize stopband frequency (F_s) to the -3 dB cutoff frequency $F_{-3\text{dB}}$

$$\frac{F_s}{F_{-3\text{dB}}} = \frac{140\text{MHz}}{100\text{MHz}} = 1.4$$

Step 2. Determine the minimum number of sections required to provide a stopband attenuation equal to or greater than 30dB.

Note from the intersection of 1.4 on the X- axis and curve N=4 the attenuation (Y-axis) is -46 dB and N=3 is approx -28dB. Therefore the minimum number of sections required is N = 4

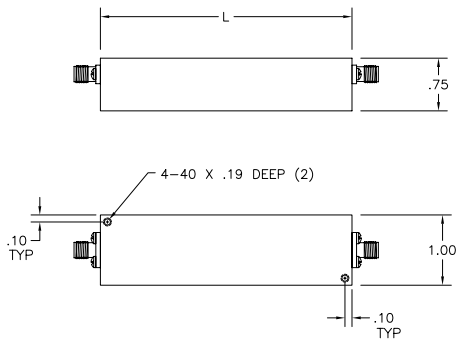
*Note: For illustration purposes only. Consult factory for specific information.

**6743 KINNE STREET
E. SYRACUSE, NY 13057
800-448-1666 • 315-438-4700**

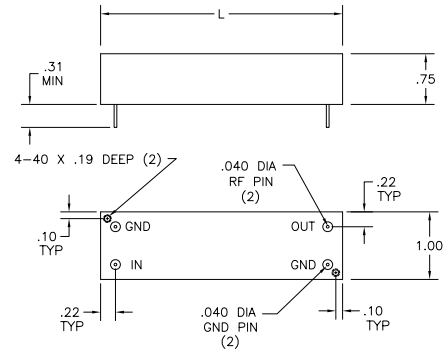
ML Series

Discrete Element, Miniature Lowpass Filters

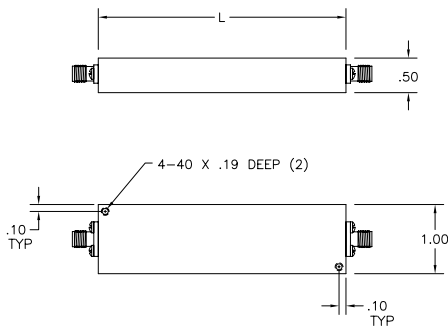
STYLE 1 CONNECTORS



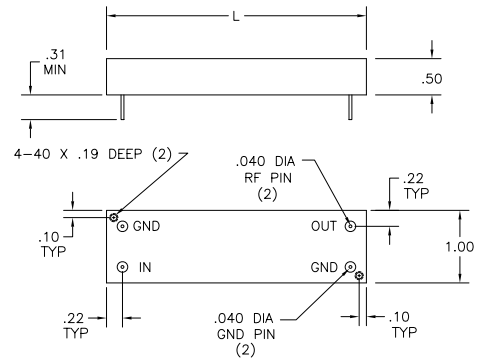
STYLE 1 PINS



STYLE 2 CONNECTORS



STYLE 2 PINS



Model	Number of Sections	Style	Width (IN.)	Height (IN.)	Length (IN.)
ML Series	3-6	1	1.00	0.75	2.38
ML Series	7-9	1	1.00	0.75	3.58
ML Series	3-6	2	1.00	0.50	2.38
ML Series	7-9	2	1.00	0.50	3.58