



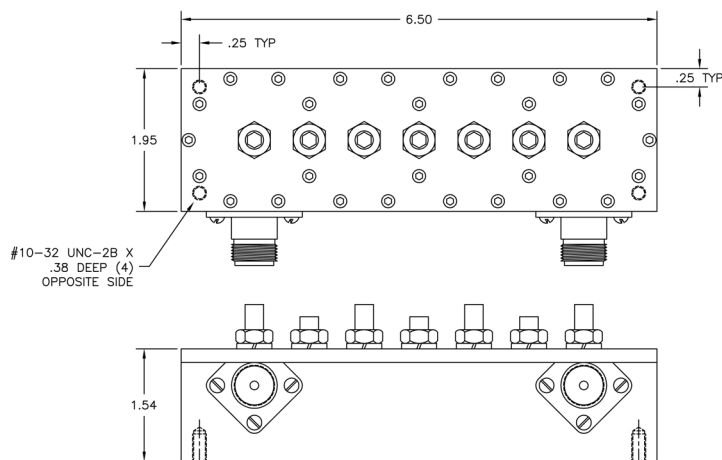
# **GSM 1800 Partial Band Receive Filters**

## **Model 18738**

This filter isolates a portion of the GSM 1800 band from a portion of the GSM 1800 transmit band.

### **Specifications:**

Passband Receive:	1760-1785 MHz
Passband Insertion Loss:	1.0 dB Approx
Passband VSWR:	1.35:1 Max
Rejection:	60 dB Min from 1855-1880 MHz
Impedance:	50 Ohms
Connectors:	N-female



**MICROWAVE FILTER CO., INC.**  
6743 KINNE STREET, E. SYRACUSE, NY 13057  
E-Mail: [mfcsales@microwavefilter.com](mailto:mfcsales@microwavefilter.com)

800-448-1666 • 315-438-4700  
Web: [www.microwavefilter.com](http://www.microwavefilter.com)