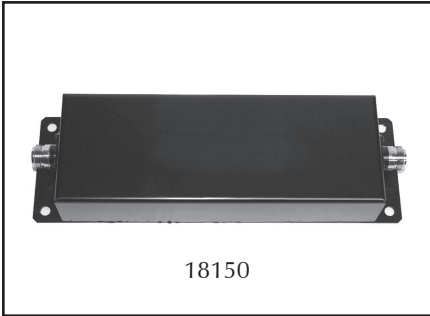


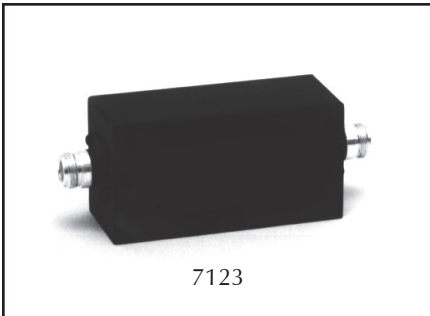
FM Harmonic Low Pass Filters

These FM transmit filters provide deep suppression of harmonics with minimal impact on the fundamental transmit signal.



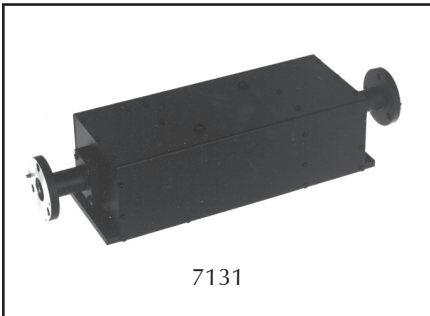
Model 18150

- **300 Watt** (CW) Transmit Power Rating
- **2nd thru 10th Harmonics Suppression**
Ideal for eliminating potential interference to these bands:
 - DTV - **VHF-Hi** (7-13)
 - DTV - **UHF** (14-51)
 - Wireless - **700 MHz**
 - Wireless - **850 MHz**



Model 7123

- **500 Watt** (CW) Transmit Power Rating
- **2nd thru 10th Harmonics Suppression**
Ideal for eliminating potential interference to these bands:
 - DTV - **VHF-Hi** (7-13)
 - DTV - **UHF** (14-51)
 - Wireless - **700 MHz**
 - Wireless - **850 MHz**



Model 7131

- **1500 Watt** (CW) Transmit Power Rating
- **2nd thru 4th Harmonics Suppression**
Ideal for eliminating potential interference to these bands:
 - DTV - **VHF-Hi** (7-13)

See Chart Below for Additional Information on these products

Model Number	Passband (MHz)	Passband Loss	Passband VSWR	Rejection	Dimensions	Connectors
18150	88 - 108	0.20 dB Typ 0.25 dB Max	1.15:1 Max	70 dB Min from 176 - 540 MHz 60 dB Min from 528 - 1080 MHz	9.50" x 3.00" x 1.50"	N-female
7123	88 - 108	0.10 dB Typ 0.25 dB Max	1.25:1 Max	50 dB Min from 176 - 216 MHz 60 dB Min from 264 - 432 MHz 80 dB Min from 440 - 1080 MHz	5.85" x 1.75" x 2.125"	N-female
7131	88 - 108	0.14 dB Typ 0.20 dB Max	1.30:1 Max	40 dB Min from 176 - 432 MHz	14.50" x 4.13" x 3.00"	7/8" EIA



MICROWAVE FILTER COMPANY, INC.

6743 Kinne Street, East Syracuse, NY 13057 • Toll Free: 800-448-1666 or 888-206-6610

www.microwavefilter.com • email: mfcsales@microwavefilter.com • International: 315-438-4700