

VHF/UHF LMR Harmonic Reject Filter

Model 18923

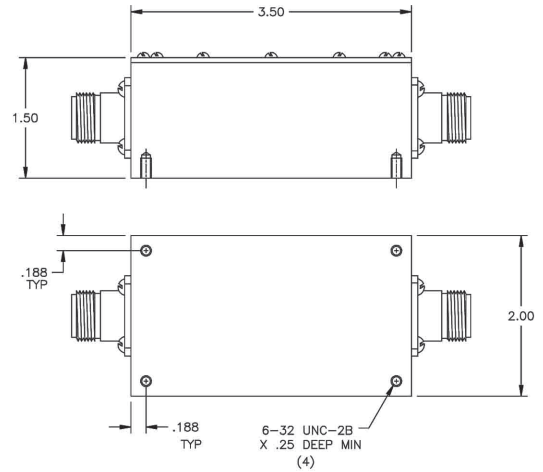
This filter prevents VHF & UHF land mobile radio transmitter harmonic emissions from interfering with wireless services operating between (698 - 2000) MHz.

Features:

- Compact Size for Easy Installation

Applications:

- Prevent Interference to Collocated or Nearby Wireless Services (e.g. – 700 MHz Band, GSM 850, GSM 1900, etc.)



Specifications:

Passband:	150 - 465 MHz
Passband Loss:	1 dB Approx
Passband VSWR:	1.5:1 Max
Power Rating (CW):	100 Watts Max
Rejection:	80 dB Min from 698 - 2000 MHz
Impedance:	50 ohms
Connectors:	N - female
Dimensions:	3.5" x 2.0" x 1.5" (89mm x 51mm x 38mm)



MICROWAVE FILTER COMPANY, INC.

6743 Kinne Street, East Syracuse, NY 13057 • Toll Free: 800-448-1666 or 888-206-6610

www.microwavefilter.com • email: mfcsales@microwavefilter.com • International: 315-438-4700