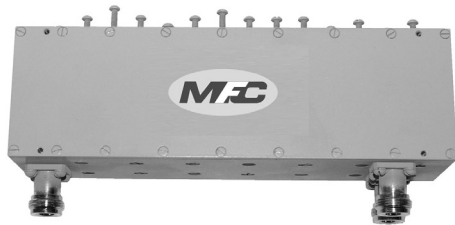


ISM (900 MHz) / STL (950 MHz) Diplexer



Model 18486

This diplexer enables broadcasters to run their (ISM) wireless operations through the same antenna as their (STL) broadcast auxiliary services.

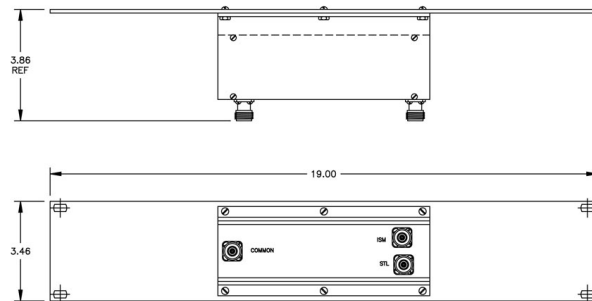
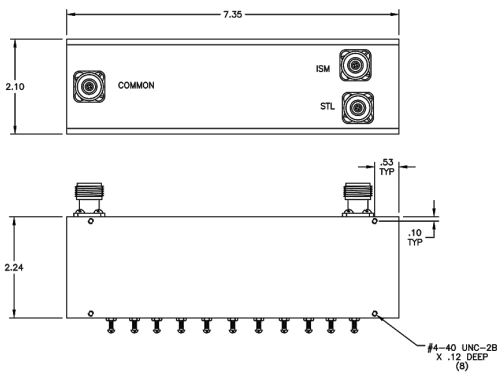
The model 18486 utilizes highly-selective bandpass filter components resulting in excellent isolation between the two bands.

- *Reduces Costs* - Dual operations through a single antenna system
 - No need for separate ISM bandpass filter
- *Full Compatibility* - Works with any brand of ISM 900 radio

Specifications:

Passband #1 (ISM)	902 - 928 MHz
Passband #2 (STL)	See Chart
Passband Insertion Loss	1.5 dB Typ; 2.0 dB Max
Passband V.S.W.R	1.5:1 Max
Passband Power (CW)	10 Watts Max / Band
Mutual Isolation	70 dB Typ; 60 dB Min
Operating Temp	+23°C to +5°C
Connectors	N Female
Dimensions	7.35" x 2.24" x 2.10"
.....	(187 mm x 57 mm x 53 mm)
Rack Mount (Optional)	Available Upon Request

Model	Passband (STL)
18486	944-952 MHz
18486-1	953-960 MHz



Panel mount option available.
Order as P18486



MICROWAVE FILTER COMPANY, INC.

6743 Kinne Street, East Syracuse, NY 13057 • Toll Free: 800-448-1666 or 888-206-6610

www.microwavefilter.com • email: mfcsales@microwavefilter.com • International: 315-438-4700