

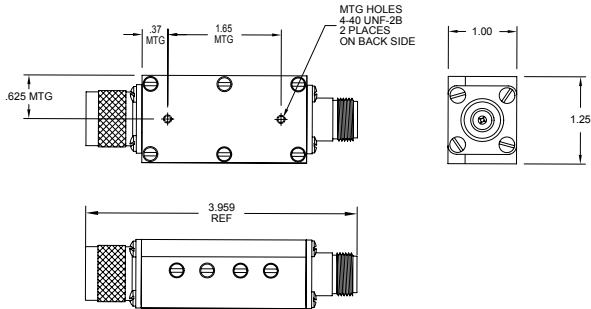


Model 13944 Full Band (Economic) Bandpass Filter

This model bandpass filter provides full band isolation from other transmission sources in an economical and compact design.

Specifications:

Center Frequency (Fo)	2442 MHz
Insertion Loss @ Fo	1.5 dB Max
Relative 3 dB Bandwidth	100 MHz Min
Rejection	40 dB Typ @ 2242 MHz
	40 dB Typ @ 2642 MHz
Impedance	50 ohms
Connectors	N (Female and Male)
Operating Temperature Range	-30°C to +50°C



MICROWAVE FILTER COMPANY, INC.

6743 Kinne Street, East Syracuse, NY 13057 • Toll Free: 800-448-1666 or 888-206-6610
 www.microwavefilter.com • email: mfcsales@microwavefilter.com • International: 315-438-4700