

MFC Super-Extended Ku-Band Diplexer

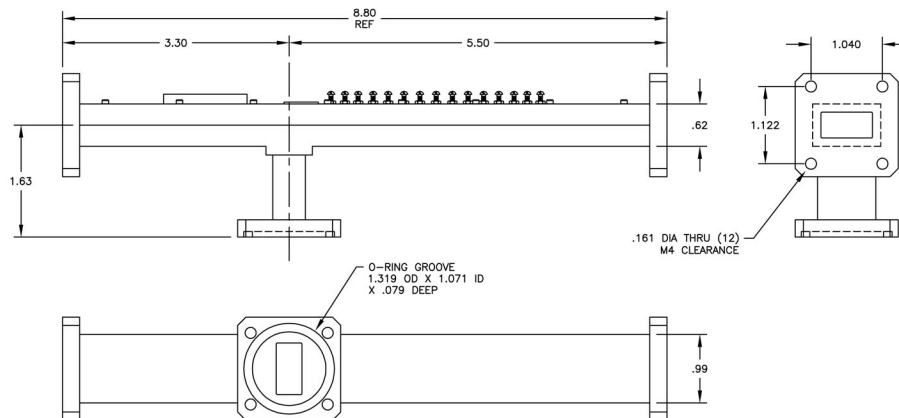
Model 19418

This TX/RX diplexer incorporates highly-selective bandpass filter components to achieve outstanding isolation between uplink & downlink feeds in the wider, super-extended Ku-band.

- Also compatible with standard or extended Ku-band applications.
- Extremely low TX and RX signal loss.
- Easy bolt-on installation and no power supply required.

Specifications:

Highband (Tx Port):	13.75 - 14.50 GHz (Uplink)
Insertion Loss:	0.25 dB Typ from 13.75 - 14.50 GHz
Return Loss:	23 dB Typ from 13.75 - 14.50 GHz
Rejection:	80 dB Typ @ 12.75 GHz 85 dB Min @ 11.70 GHz
Lowband (Rx Port):	10.70 - 12.75 GHz (Downlink)
Insertion Loss:	0.2 dB Typ from 10.70 - 12.75 GHz
Return Loss:	21 dB Typ from 10.70 - 12.75 GHz
Rejection:	75 dB Typ @ 13.75 GHz 80 dB Min @ 14.10 GHz
Flanges:	UBR120 (TX Port) UBR120 (RX Port) PBR120 (Antenna Port)
Dimensions:	See Drawing
Finish:	Gloss White Epoxy



MICROWAVE FILTER CO., INC.
6743 KINNE STREET, E. SYRACUSE, NY 13057
E-Mail: mfcsales@microwavefilter.com

800-448-1666 • 315-438-4700
Web: www.microwavefilter.com