

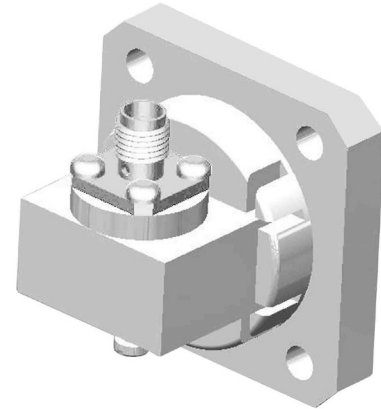


Ku-Band Waveguide to Coax Adaptor **Model 16426**

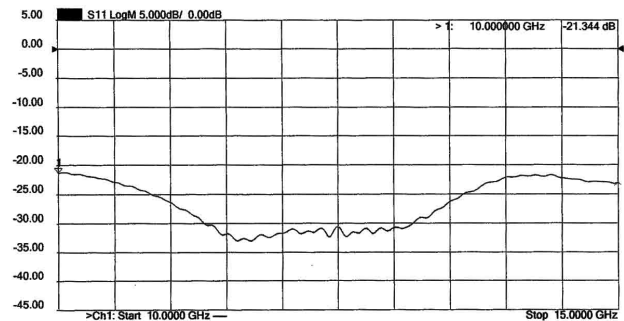
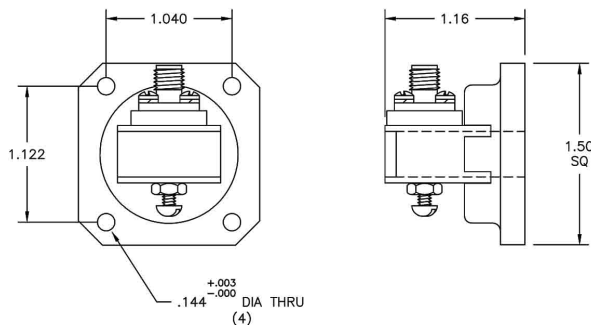
This compact adaptor can be used for Ku-band satcom receive (downlink) and/or transmit (uplink) applications.

Specifications:

Passband:	10 - 15 GHz
Passband VSWR:	1.25:1 Typ
Impedance:	50 ohms
Connector:	SMA - female
Flanges:	WR75 Cover
Overall Length:	1.16" (29 mm)
Finish:	White Lacquer



- *Alternate Connectors Are Available Upon Request*
- *Alternate Flanges Are Available Upon Request*



MICROWAVE FILTER CO., INC.
6743 KINNE STREET, E. SYRACUSE, NY 13057
E-Mail: mfcsales@microwavefilter.com

800-448-1666 • 315-438-4700
Web: www.microwavefilter.com